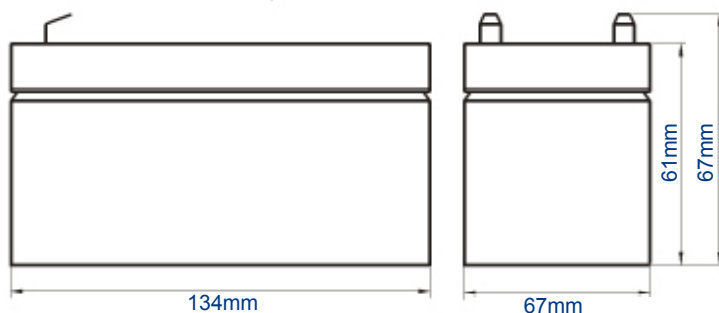
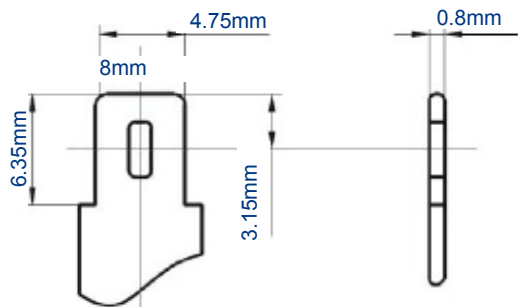


UL 3.4-12
12V 3.4AH

Ultracell®
'Quality in Every Language'



Terminal Type

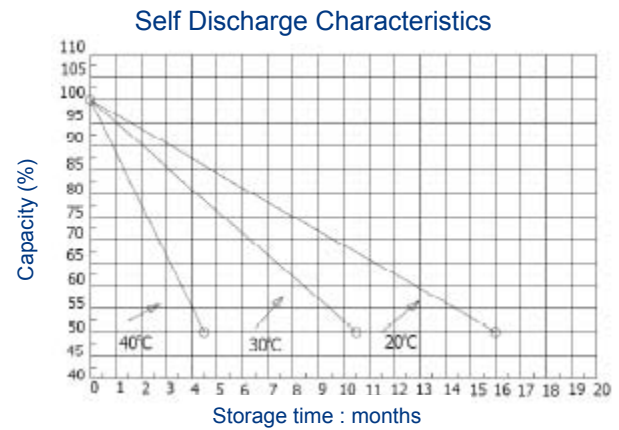
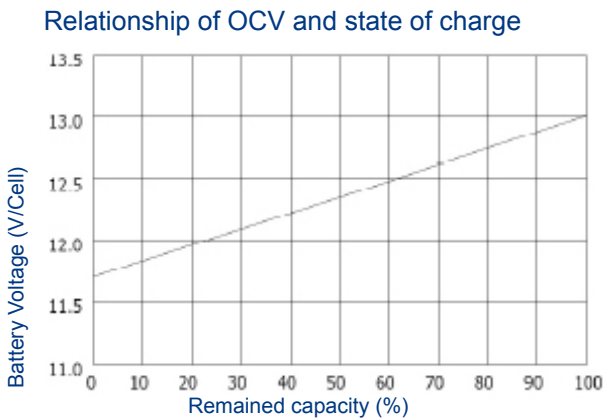
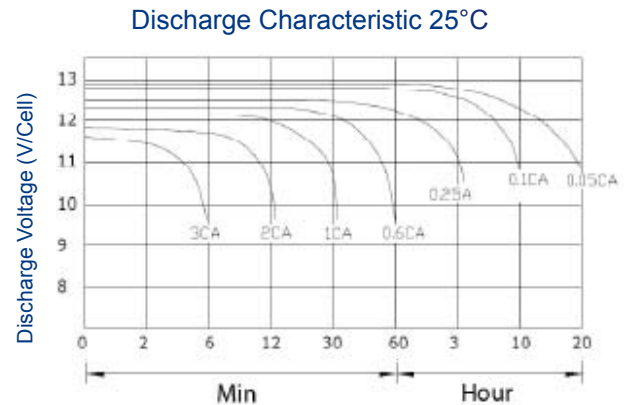
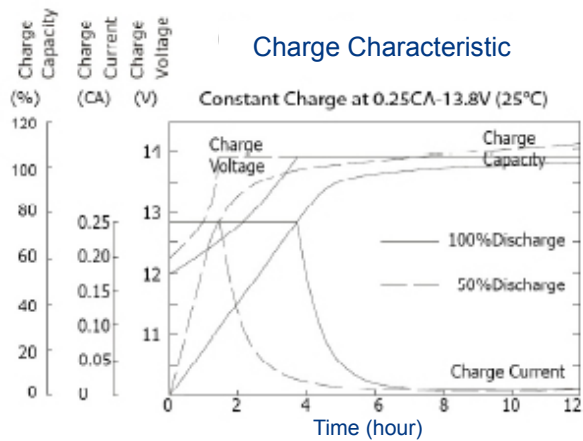


Specifications

Battery Model	UL 3.4-12			
Designed Floating Life	5 Years			
Capacity (25°C)	20HR (0.17A, 1.75V)	10HR (0.323A, 1.75A)	5HR (0.578A, 1.75A)	1HR (2.04A, 1.75A)
	3.4AH	3.23AH	2.89AH	2.04AH
Dimensions	Length	Width	Height	Total Height
	134mm	67mm	61mm	67mm
Approx. Weight	1.30kg			
Internal Resistance	Fully Charged at 25°C 0.045 Ohm			
Self Discharge	3% of capacity declined per month at 25°C			
Capacity Affected by Temperature	40°C	25°C	0°C	-15°C
	102%	100%	85%	65%
Charge Voltage (25°C)	Cycle Use		Float Use	
	14.4-14.8V (-30mV/°C), max.Current: 0.96A		13.6-13.8V (-10mV/°C)	

Construction

Component	- Raw material	Sealant	- Epoxy Resin
Positive	- Lead dioxide	Safety Valve	- EPDR
Negative	- Lead	Terminal	- Copper
Container	- ABS (Flame Retardent optional)	Separator	- Fibre Glass
Cover	- ABS (Flame Retardent optional)	Electrolyte	- Sulphuric acid
Sealed and maintenance free option		Non-spillable construction design	



Constant Current Discharge Ratings - amperes at 25°C

F.V / Time	5MIN	10MIN	15MIN	30MIN	1HR	3HR	5HR	10HR	20HR
1.60V	12.6	7.81	5.92	3.65	2.04	1.01	0.62	0.35	0.19
1.67V	11.8	7.41	5.69	3.49	2.02	0.97	0.61	0.34	0.18
1.70V	11.7	7.15	5.56	3.17	1.99	0.85	0.59	0.34	0.18
1.75V	11.4	7.03	5.36	3.02	1.88	0.84	0.58	0.33	0.17
1.80V	10.6	6.72	4.87	2.80	1.76	0.84	0.57	0.32	0.17
1.85V	9.30	6.41	4.38	2.58	1.64	0.83	0.56	0.32	0.17

Constant Power Discharge Ratings - watts at 25°C

F.V / Time	5MIN	10MIN	15MIN	30MIN	1HR	3HR	5HR	10HR	20HR
1.60V	24.5	17.0	12.9	7.82	4.08	1.73	1.17	0.68	0.36
1.67V	23.8	16.7	12.6	7.75	4.05	1.72	1.17	0.67	0.35
1.70V	23.1	16.3	12.2	7.65	4.01	1.70	1.16	0.66	0.34
1.75V	22.1	15.8	11.9	7.48	3.98	1.67	1.16	0.65	0.34
1.80V	21.1	15.0	11.2	7.14	3.91	1.62	1.12	0.64	0.33
1.85V	20.2	14.3	10.6	6.82	3.85	1.58	1.12	0.64	0.33