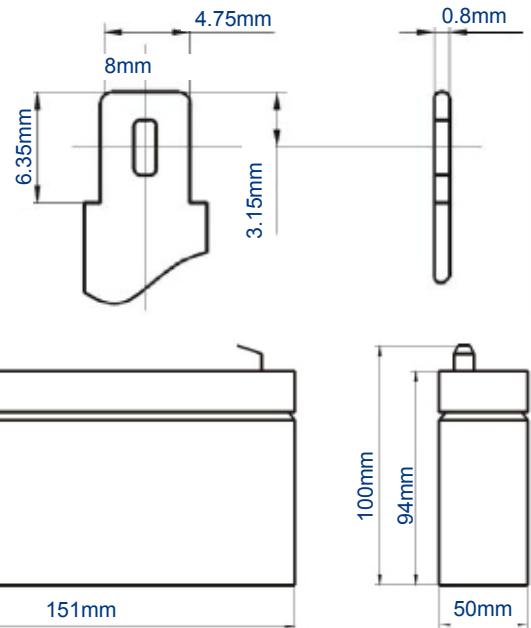


UL 10-6
6V 10AH

Ultracell®
'Quality in Every Language'



Terminal Type

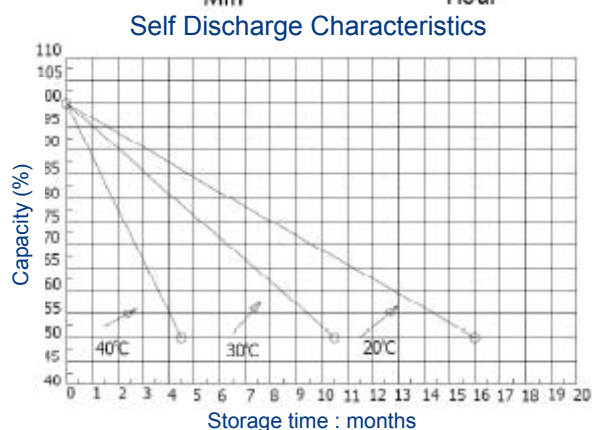
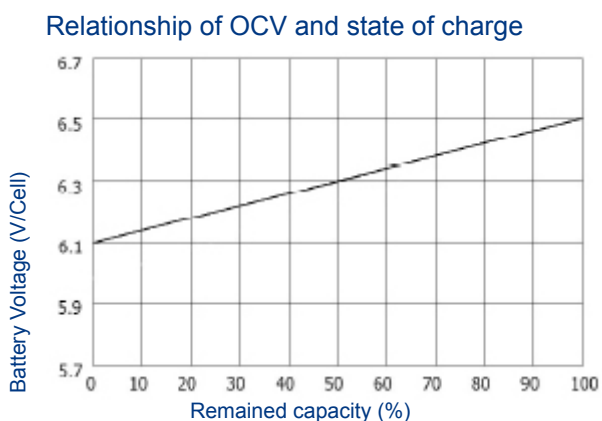
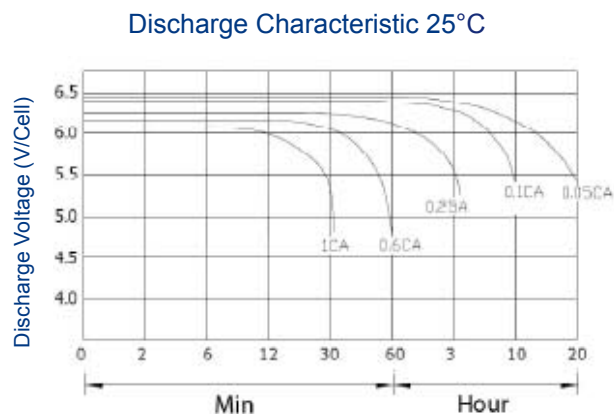
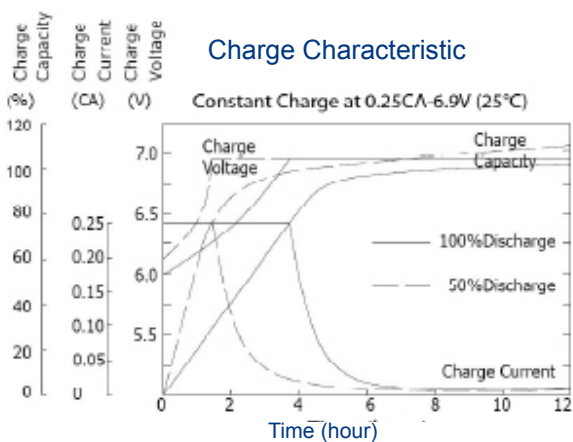


Specifications

Battery Model	UL 10-6			
Designed Floating Life	5 Years			
Capacity (25°C)	20HR (0.5A, 1.75V)	10HR (0.95A, 1.75A)	5HR (1.7A, 1.75A)	1HR (6.0A, 1.75A)
	10AH	9.5AH	8.5AH	6AH
Dimensions	Length	Width	Height	Total Height
	151mm	50mm	94mm	100mm
Approx. Weight	1.80kg			
Internal Resistance	Fully Charged at 25°C 0.014 Ohm			
Self Discharge	3% of capacity declined per month at 25°C			
Capacity Affected by Temperature	40°C	25°C	0°C	-15°C
	102%	100%	85%	65%
Charge Voltage (25°C)	Cycle Use		Float Use	
	7.2-7.4V (-30mV/°C), max.Current: 2.16A		6.8-6.9V (-10mV/°C)	

Construction

Component	- Raw material	Sealant	- Epoxy Resin
Positive	- Lead dioxide	Safety Valve	- EPDR
Negative	- Lead	Terminal	- Copper
Container	- ABS (Flame Retardent optional)	Separator	- Fibre Glass
Cover	- ABS (Flame Retardent optional)	Electrolyte	- Sulphuric acid
Sealed and maintenance free option		Non-spillable construction design	



Constant Current Discharge Ratings - amperes at 25°C

F.V / Time	5MIN	10MIN	15MIN	30MIN	1HR	3HR	5HR	10HR	20HR
1.60V	39.1	24.4	18.4	11.2	6.00	3.12	1.90	1.07	0.57
1.67V	37.6	23.9	17.8	10.6	5.91	3.00	1.78	1.05	0.55
1.70V	35.7	22.3	17.2	9.90	5.78	2.50	1.73	1.03	0.52
1.75V	34.7	21.7	16.8	9.43	5.63	2.47	1.70	0.95	0.50
1.80V	31.4	20.8	15.1	8.66	5.51	2.42	1.68	0.93	0.49
1.85V	27.0	19.6	13.5	7.87	5.45	2.40	1.58	0.92	0.48

Constant Power Discharge Ratings - watts at 25°C

F.V / Time	5MIN	10MIN	15MIN	30MIN	1HR	3HR	5HR	10HR	20HR
1.60V	80.1	52.5	40.1	23.0	13.10	5.08	2.46	1.92	1.02
1.67V	77.4	51.8	39.2	22.8	12.9	5.05	3.45	1.92	1.02
1.70V	74.2	49.8	38.4	22.5	12.6	5.01	3.44	1.92	1.01
1.75V	69.7	48.1	37.2	22.0	12.5	4.96	3.41	1.91	1.01
1.80V	60.7	44.4	35.6	21.2	12.2	4.87	3.36	1.88	0.99
1.85V	50.9	40.9	34.2	20.6	12.0	4.80	3.32	1.87	0.99