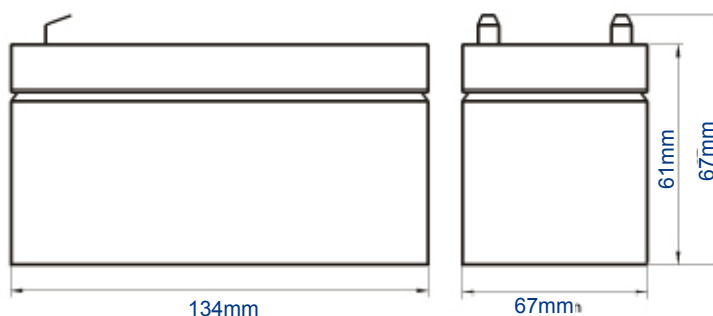
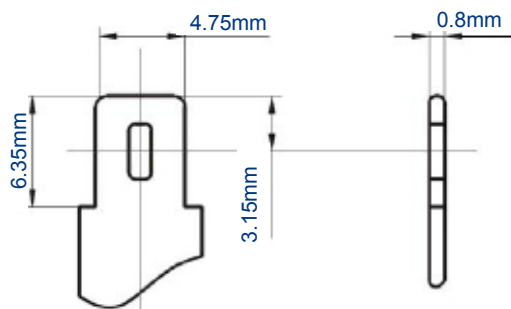


UL 1.3-12  
12V 1.3AH

**Ultracell®**  
'Quality in Every Language'



### Terminal Type

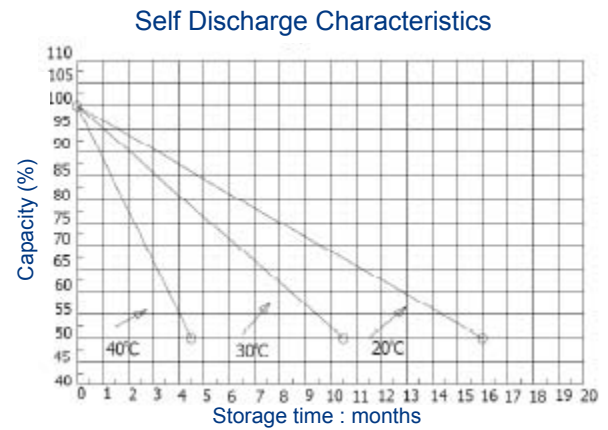
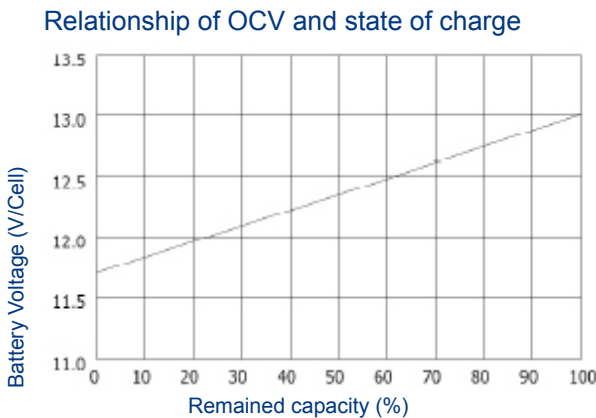
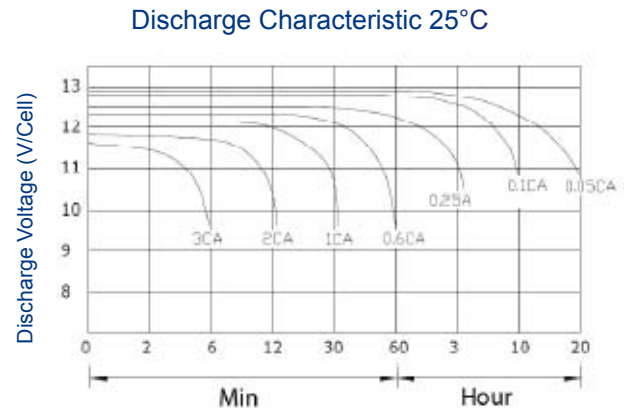
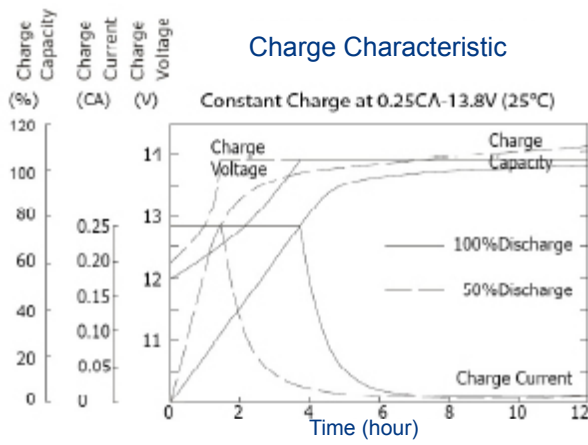


### Specifications

Battery Model	UL 1.3-12			
Designed Floating Life	5 Years			
Capacity (25°C)	20HR (0.065A, 1.75V)	10HR (0.124A, 1.75A)	5HR (0.22A, 1.75A)	1HR (0.78A, 1.75A)
	1.3AH	1.24AH	1.1AH	0.78AH
Dimensions	Length	Width	Height	Total Height
	97mm	43mm	52mm	58mm
Approx. Weight	0.58kg			
Internal Resistance	Fully Charged at 25°C 0.095 Ohm			
Self Discharge	3% of capacity declined per month at 25°C			
Capacity Affected by Temperature	40°C	25°C	0°C	-15°C
	102%	100%	85%	65%
Charge Voltage (25°C)	Cycle Use		Float Use	
	14.4-14.8V (-30mV/°C), max.Current: 0.39A		13.6-13.8V (-20mV/°C)	

### Construction

Component	- Raw material	Sealant	- Epoxy Resin
Positive	- Lead dioxide	Safety Valve	- EPDR
Negative	- Lead	Terminal	- Copper
Container	- ABS (Flame Retardent optional)	Separator	- Fibre Glass
Cover	- ABS (Flame Retardent optional)	Electrolyte	- Sulphuric acid
Sealed and maintenance free option		Non-spillable construction design	



**Constant Current Discharge Ratings - amperes at 25°C**

F.V / Time	5MIN	10MIN	15MIN	30MIN	1HR	3HR	5HR	10HR	20HR
1.60V	5.08	3.16	2.39	1.45	0.78	0.40	0.25	0.14	0.07
1.67V	4.78	3.01	2.28	1.40	0.78	0.37	0.24	0.14	0.07
1.70V	4.37	2.90	2.25	1.27	0.77	0.33	0.23	0.14	0.07
1.75V	4.30	2.88	2.17	1.22	0.74	0.32	0.22	0.13	0.07
1.80V	3.82	2.68	1.97	1.14	0.73	0.31	0.22	0.13	0.07
1.85V	3.37	2.54	1.76	1.11	0.73	0.31	0.20	0.13	0.06

**Constant Power Discharge Ratings - watts at 25°C**

F.V / Time	5MIN	10MIN	15MIN	30MIN	1HR	3HR	5HR	10HR	20HR
1.60V	9.36	5.72	4.94	2.99	1.67	0.67	0.45	0.26	0.15
1.67V	9.10	6.37	4.81	2.96	1.65	0.67	0.45	0.25	0.14
1.70V	8.84	6.24	4.68	2.93	1.64	0.65	0.45	0.25	0.14
1.75V	8.45	6.04	4.55	2.86	1.60	0.64	0.44	0.25	0.14
1.80V	8.06	5.72	4.29	2.73	1.56	0.62	0.43	0.24	0.13
1.85V	7.75	5.47	4.09	2.62	1.51	0.62	0.43	0.24	0.13